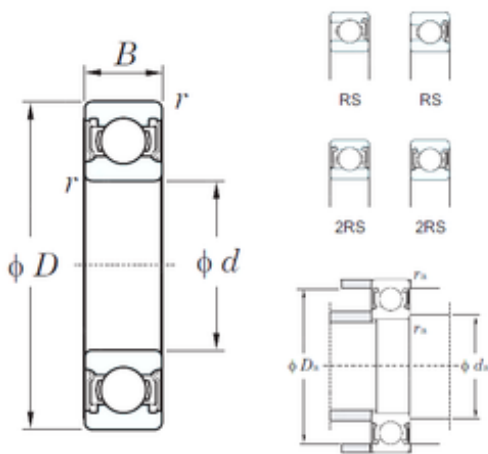




LY?MANUFACTURING CO.,LTD.

KOYO 6014-2RS deep groove ball bearings

Bearing No. 6014-2RS



6014-2RS Bearing 2D drawings and 3D CAD models

Size	70x110x20 mm
Bore Diameter	70 mm
Outer Diameter	110 mm
Width	20 mm
d	70 mm
D	110 mm
B	20 mm
C	20 mm
r min.	1,1 mm
da min.	76,5 mm
da max	79,5 mm
Da max.	103,5 mm
ra max.	1 mm
Weight	0,602 Kg
Basic dynamic load rating (C)	38,1 kN
Basic static load rating (C0)	30,9 kN
(Grease) Lubrication Speed	3500 r/min