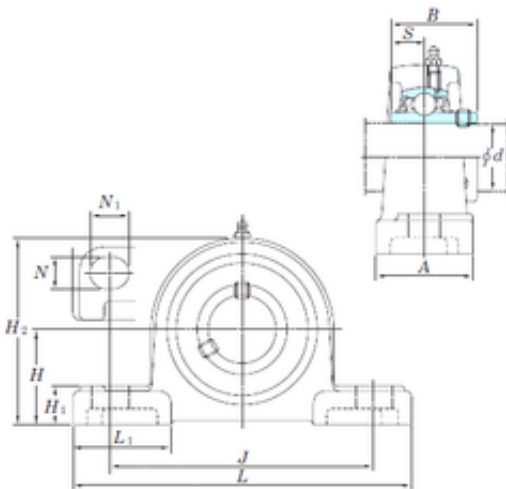




# LY?MANUFACTURING CO.,LTD.

## KOYO UCP208SC bearing units

Bearing No. UCP208SC



UCP208SC Bearing 2D drawings and 3D CAD models

|                               |         |
|-------------------------------|---------|
| Bore Diameter                 | 40 mm   |
| Width                         | 49,2 mm |
| d                             | 40 mm   |
| A                             | 54 mm   |
| B                             | 49,2 mm |
| H                             | 49,2 mm |
| H1                            | 19 mm   |
| H2                            | 100 mm  |
| J                             | 137 mm  |
| L                             | 184 mm  |
| L1                            | 57 mm   |
| N                             | 17 mm   |
| N1                            | 21 mm   |
| S                             | 19 mm   |
| Bolt (G)                      | M14     |
| Weight                        | 2,3 Kg  |
| Basic dynamic load rating (C) | 29,1 kN |
| Basic static load rating (C0) | 17,8 kN |