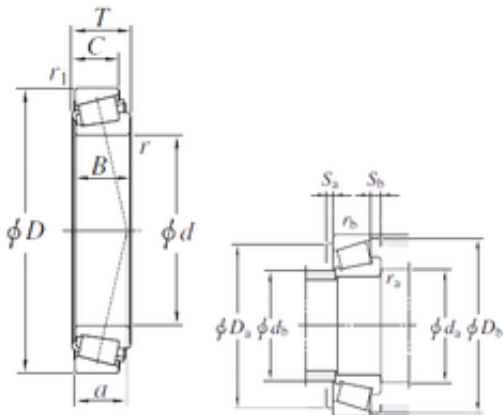




# LY?MANUFACTURING CO.,LTD.

## KOYO 33124JR tapered roller bearings

Bearing No. 33124JR



33124JR Bearing 2D drawings and 3D CAD models

Size	120x200x62 mm
Bore Diameter	120 mm
Outer Diameter	200 mm
Width	62 mm
d	120 mm
D	200 mm
T	62 mm
B	62 mm
C	48 mm
a	47,8 mm
r min.	2,5 mm
r1 min.	2 mm
r2 min.	2 mm
da min.	132 mm
da max	133 mm
Da min	172 mm
Da max.	190 mm
db max.	133 mm
Db min.	192 mm
ra max.	2 mm
rb max.	2 mm
Db	192 mm
Weight	7,73 Kg
Basic dynamic load rating (C)	462 kN
Basic static load rating (C0)	785 kN
(Grease) Lubrication Speed	1800 r/min



## LY?MANUFACTURING CO.,LTD.

(Oil) Lubrication Speed	2400 r/min
Calculation factor (e)	0,4
Calculation factor (Y0)	0,83
Bearing No.	33124JR
r(min)	2.5
r1(min)	2
Cr	581
C0r	785
Cu	96.1
Grease lub.	1800
Oil lub.	2400
a	47.8 mm
da(min)	132
db(max)	133
Da(max)	190
Da(min)	172
Db(min)	192
Sa(min)	9
Sb(min)	14
ra(max)	2
rb(max)	2
e	0.40
Y1	1.51
Y0	0.83
(Refer.)Mass(kg)	7.73