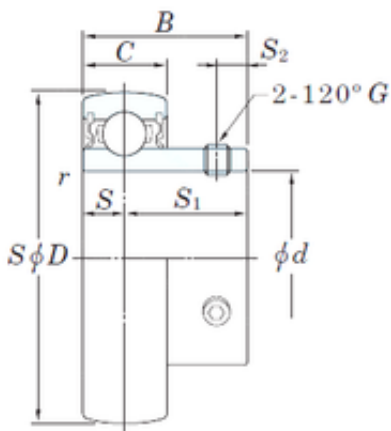




KOYO UC205L2 deep groove ball bearings



Bearing No. UC205L2

Size	25x52x34.1 mm
Bore Diameter	25 mm
Outer Diameter	52 mm
Width	34,1 mm
d	25 mm
D	52 mm
B	34,1 mm
C	17 mm
S1	19,8 mm
r min.	1 mm
C	5 mm
S	14,3 mm
S2	5,5 mm
Thread (G)	M6 × 0,75
Weight	0,2 Kg
Basic dynamic load rating (C)	14 kN
Basic static load rating (C0)	7,85 kN

UC205L2 Bearing 2D drawings and 3D CAD models