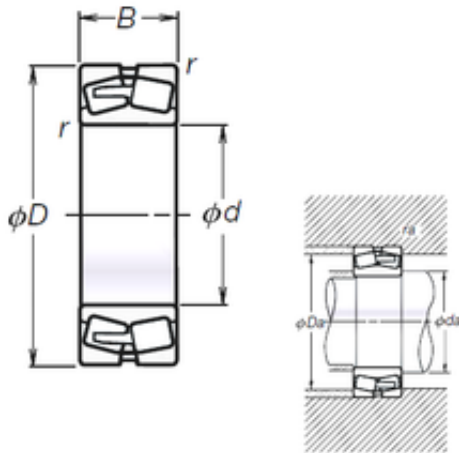




LY?MANUFACTURING CO.,LTD.

NSK TL22324EAE4 spherical roller bearings



Bearing No. TL22324EAE4

Size	120x260x86 mm
Bore Diameter	120 mm
Outer Diameter	260 mm
Width	86 mm
d	120 mm
D	260 mm
B	86 mm
C	86 mm
r min.	3 mm
da min.	134 mm
da max	157 mm
Da min	246 mm
Da max.	222 mm
ra max.	2,5 mm
Weight	22,2 Kg
Basic dynamic load rating (C)	955 kN
Basic static load rating (C0)	1320 kN
(Grease) Lubrication Speed	1 600 r/min
(Oil) Lubrication Speed	2 000 r/min
Calculation factor (e)	0,32
Calculation factor (Y0)	2
Calculation factor (Y2)	3,1

TL22324EAE4 Bearing 2D drawings and 3D CAD models