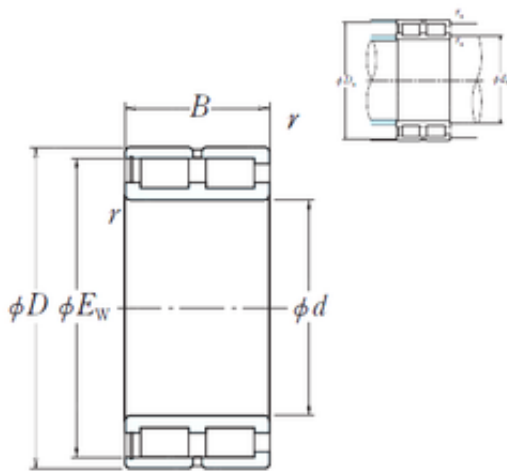




LY?MANUFACTURING CO.,LTD.

NSK NNCF48/500V cylindrical roller bearings

Bearing No. NNCF48/500V



NNCF48/500V Bearing 2D drawings and 3D CAD models

Size	500x590.7x118 mm
Bore Diameter	500 mm
Outer Diameter	590,7 mm
Width	118 mm
d	500 mm
D	620 mm
Ew	590,7 mm
B	118 mm
C	118 mm
r min.	3 mm
Da	594 mm
ra max.	2,5 mm
da	524 mm
Weight	83,5 Kg
Basic dynamic load rating (C)	1810 kN