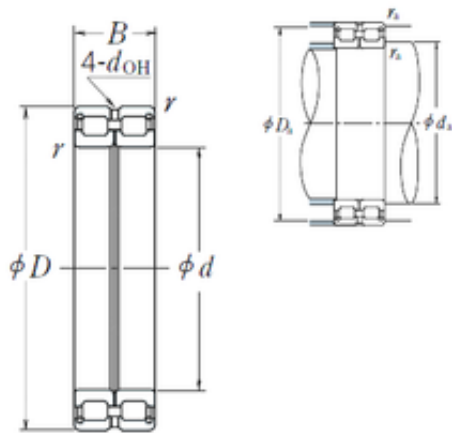




**NSK RS-4936E4 cylindrical roller bearings**



Bearing No. RS-4936E4

RS-4936E4 Bearing 2D drawings and 3D CAD models

Size	180x250x69 mm
Bore Diameter	180 mm
Outer Diameter	250 mm
Width	69 mm
d	180 mm
D	250 mm
B	69 mm
C	69 mm
r min.	2 mm
da min.	189 mm
Da max.	241 mm
ra max.	2 mm
Weight	10,7 Kg
Basic dynamic load rating (C)	495 kN
Basic static load rating (C0)	1130 kN
(Grease) Lubrication Speed	530 r/min
hidYobi	RS-4936E4
LangID	1
D_	250
B_	69
hidTable	ecat_NSCLDRS
Oil rpm	530
mass	10.7
GRS rpm	1100
ra	2
da_min	189



## LY?MANUFACTURING CO.,LTD.

C0	1130
DE_	230.7
Prod_Type3	CRB_FRFS_OT_FIX
DA_	15
Z_	45
yobi	RS-4936E4
da_max	241
SDM_	215.7
r	2
KBRG	4220
DI_	200.7
doh	6