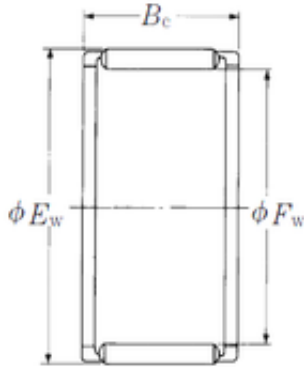




LY?MANUFACTURING CO.,LTD.

NSK FWF-404517A needle roller bearings



Bearing No. FWF-404517A

Bore Diameter	40 mm
Outer Diameter	45 mm
Fw	40 mm
Ew	45 mm
Bc	17 mm
Weight	0,023 Kg
Basic dynamic load rating (C)	21 kN
Basic static load rating (C0)	40 kN
(Grease) Lubrication Speed	6300 r/min
hidYobi	FWF-404517A
LangID	1
Prod_Type3	NRB_CNRA_FWF-FWJ
d	40
D_	45
DA_	2.5
Z_	30
C	21
B_	17
hidTable	ecat_NSCRA
yobi	FWF-404517A
mass	23
GRS rpm	6300
OIL rpm	10000
SDM_	42.5
KBRG	8113
C0	40

FWF-404517A Bearing 2D drawings and 3D CAD models



LY?MANUFACTURING CO.,LTD.

SLR	13.8
-----	------