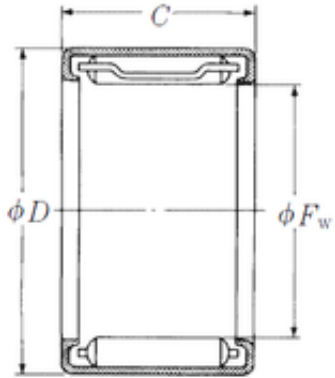




LY?MANUFACTURING CO.,LTD.

NSK FJ-58L needle roller bearings



Bearing No. FJ-58L

Size	5x9x8 mm
Bore Diameter	5 mm
Outer Diameter	9 mm
Width	8 mm
Fw	5 mm
D	9 mm
C	8 mm
Weight	0,0016 Kg
Basic dynamic load rating (C)	1,55 kN

FJ-58L Bearing 2D drawings and 3D CAD models