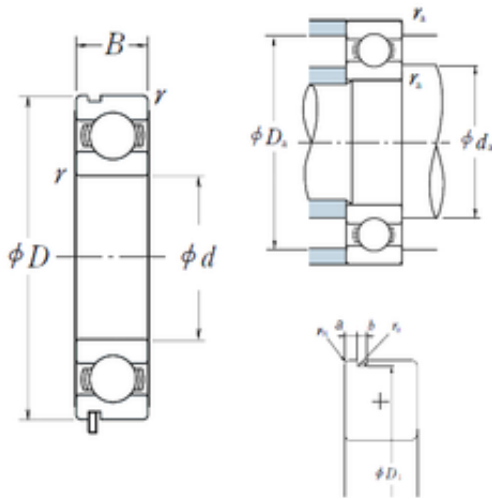




# LY?MANUFACTURING CO.,LTD.

## NSK 6913N deep groove ball bearings

Bearing No. 6913N



6913N Bearing 2D drawings and 3D CAD models

Size	65x90x13 mm
Bore Diameter	65 mm
Outer Diameter	90 mm
Width	13 mm
d	65 mm
D	90 mm
B	13 mm
C	13 mm
rn	0,5 mm
a	2,1 mm
b	1,3 mm
r min.	1 mm
r0 max.	0,4 mm
D1	87,9 mm
da min.	70 mm
da max	71,5 mm
Da max.	85 mm
ra max.	1 mm
Weight	0,218 Kg
Basic dynamic load rating (C)	17,4 kN
Basic static load rating (C0)	16,1 kN
(Grease) Lubrication Speed	7 100 r/min
(Oil) Lubrication Speed	8 500 r/min
SRI	3.7
hidYobi	6913N
LangID	1



## LY?MANUFACTURING CO.,LTD.

ro	0.4
D_	90
SREX	0.02
B_	13
da min	70
hidTable	ecat_NSRDGB
Oil rpm	8500
SRE	3.7
mass	0.218
GRS rpm	7100
ra	1
SRIX	0.02
D_a	85
SRIN	-0.02
C0	16.1
fo	16.6
SREN	-0.02
DE_	84.644
Prod_Type3	DGBB_SR_N_OT
DA_	7.144
bomp	0
Z_	19
yobi	6913N
C_conv	17400
ALPHA_	0
SDM_	77.5
r	1
KBRG	6101
SBRG	19
DI_	70.356