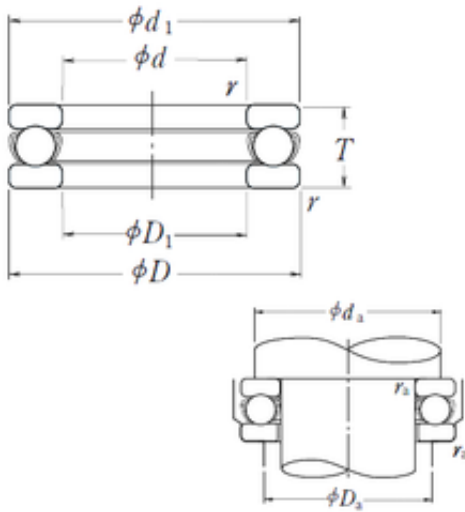




LY?MANUFACTURING CO.,LTD.



NSK 51114 thrust ball bearings

Bearing No. 51114

Size	70x95x18 mm
Bore Diameter	70 mm
Outer Diameter	95 mm
Width	18 mm
d	70 mm
D	95 mm
T	18 mm
d1	95 mm
r min.	1 mm
D1	72 mm
da min.	85 mm
Da max.	80 mm
ra max.	1 mm
Weight	0,346 Kg
Basic dynamic load rating (C)	43,5 kN
Basic static load rating (C0)	127 kN
(Grease) Lubrication Speed	2400 r/min
Category	Thrust Ball Bearing
Inventory	0.0
Manufacturer Name	NSK
Minimum Buy Quantity	N/A
Weight / Kilogram	0.361
Product Group	B00308
Rolling Element	Ball Bearing
Thrust Bearing	Yes
Single or Double Direction	Single Direction

51114 Bearing 2D drawings and 3D CAD models



LY?MANUFACTURING CO.,LTD.

Banded	No
Cage Material	Steel
Precision Class	Non-Precision
Component Description	Roller Assembly Plus Raceways
Other Features	Single Row With Flat Seat
Long Description	70MM Bore 1; 72MM Bore 2; 95MM Outside Diameter; 18MM Height; Ball Bearing; Single Direction; Not Banded; Steel Cage; Non-Precision
Inch - Metric	Metric
Category	Thrust Ball Bearings
UNSPSC	31171552
Harmonized Tariff Code	8482.10.50.08
Noun	Bearing
Keyword String	Ball Thrust
Manufacturer URL	http://www.nskamericas.com
Manufacturer Item Number	51114
Weight / LBS	0.7628
Outside Diameter	3.74 Inch 95 Millimeter
Height	0.709 Inch 18 Millimeter
Bore 1	2.756 Inch 70 Millimeter
Overall Height with Aligning Washer	0 Inch 0 Millimeter
Bore 2	2.835 Inch 72 Millimeter
bore diameter:	70 mm
static load capacity:	28500 lbf
outside diameter:	95 mm
dynamic load capacity:	9750 lbf
overall width:	18 mm
operating temperature range:	Maximum of +120 ° C



LY?MANUFACTURING CO.,LTD.

thrust bearing type:	Single-Direction
maximum rpm:	3600 rpm
outside diameter design:	Straight
cage material:	Steel Cage
separable or banded:	Separable
fillet radius:	1 mm
race type:	Flat
series:	51100
precision rating:	ABEC1, P0
SRI	4.7
hidYobi	51114
LangID	1
D_	95
SREX	0.04
C	43.5
B_	18
hidTable	ecat_NSSDTB
Oil rpm	3600
SRE	4.7
mass	0.346
GRS rpm	2400
ra	1
SRIX	0.04
D_a	80
SRIN	0
C0	127
SREN	0
D_1	72
Prod_Type3	TB_SD_WFS
da	85
DA_	8.731
Z_	27



LY?MANUFACTURING CO.,LTD.

yobi	51114
SDM_	82.5
r	1
T_	18
KBRG	5111