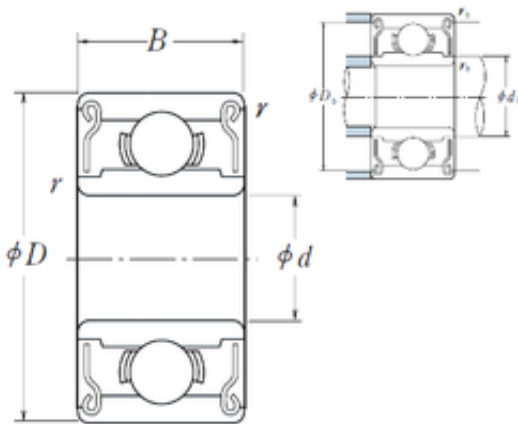




LY?MANUFACTURING CO.,LTD.

NSK R 1-4 ZZ deep groove ball bearings

Bearing No. R 1-4 ZZ



R 1-4 ZZ Bearing 2D drawings and 3D CAD models

Size	1.984x6.35x3.571 mm
Bore Diameter	1,984 mm
Outer Diameter	6,35 mm
Width	3,571 mm
d	1,984 mm
D	6,35 mm
B	3,571 mm
C	3,571 mm
r min.	0,1 mm
db max.	3,9 mm
Db min.	5,9 mm
rb max.	0,1 mm
Weight	0,0005 Kg
Basic dynamic load rating (C)	0,31 kN
Basic static load rating (C0)	0,108 kN